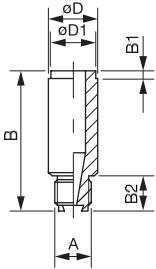


Z

Zubehör Accessories

Schweißnippel mit Schwalbenschwanz Adapter Dovetail / Weld-on Type

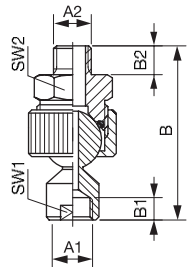


Typ Type	Abmessungen / Dimensions (mm)						Material				Gewicht Weight ca. g
	A	B	B1	B2	D	D1	1.0037 A570	1.4571 SS316			
BSNFH-1-120	G 1"	120,0	10,0	24,0	45,0	43,0	●	●			900

Gewinde: G 1"
Thread: 1" BSPP

Bestell-Beispiel: Typ Material
Ordering Information: Type Material
BSNFH-1-120 - 1.0037

Kugeldrehgelenke / Ball Joints



Typ Type*	Abmessungen / Dimensions (mm)							Material			Gewicht Weight ca. g
	A1	A2	B	B1	B2	SW1 HEX1	SW2 HEX2	Messing Brass	1.4305 SS303	1.4571 SS316	
20BK-1/8 I-1/4 A	G 1/8"	G 1/4"	54,0	10,0	9,0	17,0	24,0	●	●	●	130
20BK-1/4 I-1/4 A	G 1/4"	G 1/4"	54,0	10,0	9,0	17,0	24,0	●	●	●	130
20BK-1/4 I-3/8 A	G 1/4"	G 3/8"	54,0	10,0	9,0	17,0	24,0	●	●	●	130
30BK-3/8 I-3/8 A	G 3/8"	G 3/8"	64,0	12,0	13,0	24,0	36,0	●	●	●	320
30BK-1/2 I-1/2 A	G 1/2"	G 1/2"	64,0	12,0	13,0	24,0	36,0	●	●	●	320
40BK-3/4 I-3/4 A	G 3/4"	G 3/4"	73,0	15,0	15,0	30,0	46,0	●	●	●	580

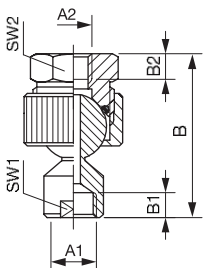
* I = Innengewinde / Female Thread

A = Außengewinde / Male Thread

Gewinde: G 1/8" G 1/4" G 3/8" G 1/2" G 3/4"
Thread: 1/8" BSPP 1/4" BSPP 3/8" BSPP 1/2" BSPP 3/4" BSPP

Bestell-Beispiel: Typ Material
Ordering Information: Type Material
20BK-1/8 I-1/4 A - 1.4305

Kugeldrehgelenke / Ball Joints



Typ Type*	Abmessungen / Dimensions (mm)							Material			Gewicht Weight ca. g
	A1	A2	B	B1	B2	SW1 HEX1	SW2 HEX2	Messing Brass	1.4305 SS303	1.4571 SS316	
20BK-1/8 I-1/8 I	G 1/8"	G 1/8"	45,0	10,0	8,0	17,0	24,0	●	●	●	120
20BK-1/4 I-1/4 I	G 1/4"	G 1/4"	45,0	10,0	10,0	17,0	24,0	●	●	●	120
20BK-1/4 I-3/8 I	G 1/4"	G 3/8"	45,0	10,0	10,0	17,0	24,0	●	●	●	120
30BK-3/8 I-3/8 I	G 3/8"	G 3/8"	60,0	12,0	14,0	24,0	36,0	●	●	●	390
30BK-1/2 I-1/2 I	G 1/2"	G 1/2"	60,0	12,0	14,0	24,0	36,0	●	●	●	390
40BK-3/4 I-3/4 I	G 3/4"	G 3/4"	65,0	15,0	17,0	30,0	46,0	●	●	●	580

* I = Innengewinde / Female Thread

Gewinde: G 1/8" G 1/4" G 3/8" G 1/2" G 3/4"
Thread: 1/8" BSPP 1/4" BSPP 3/8" BSPP 1/2" BSPP 3/4" BSPP

Bestell-Beispiel: Typ Material
Ordering Information: Type Material
20BK-1/8 I-1/8 I - 1.4305

Zubehör Accessories



Kugeldrehgelenke / Ball Joints

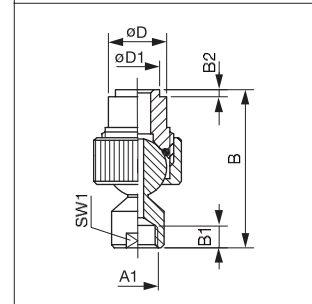
Typ Type*	Abmessungen / Dimensions (mm)							Material			Gewicht Weight ca. g
	A1	B	B1	B2	D	D1	SW1 HEX1	Messing Brass	1.4305 SS303	1.4571 SS316	
20BK-1/8 I-SN	G 1/8"	48,0	10,0	4,0	20,0	15,0	17,0	●	●	●	125
20BK-1/4 I-SN	G 1/4"	48,0	10,0	4,0	20,0	15,0	17,0	●	●	●	125
30BK-3/8 I-SN	G 3/8"	60,0	12,0	4,0	22,0	15,0	24,0	●	●	●	300
30BK-1/2 I-SN	G 1/2"	60,0	12,0	4,0	22,0	15,0	24,0	●	●	●	300
40BK-3/4 I-SN	G 3/4"	70,0	15,0	4,0	22,0	18,0	30,0	●	●	●	560

* I = Innengewinde / Female Thread
SN = Schweißnippel / Adapter weld-on

Gewinde: G 1/8" G 1/4" G 3/8" G 1/2" G 3/4"
Thread: 1/8" BSPP 1/4" BSPP 3/8" BSPP 1/2" BSPP 3/4" BSPP

Bestell-Beispiel: Typ Material
Ordering Information: Type Material

20BK-1/8 I-SN - 1.4571



Kugeldrehgelenke / Ball Joints

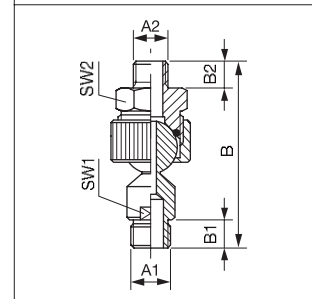
Typ Type*	Abmessungen / Dimensions (mm)						Material			Gewicht Weight ca. g	
	A1	A2	B	B1	B2	SW1 HEX1	SW2 HEX2	Messing Brass	1.4305 SS303		1.4571 SS316
20BK-3/8 A-1/4 A	G 3/8"	G 1/4"	64,0	10,0	9,0	17,0	24,0	●	●	●	130
20BK-3/8 A-3/8 A	G 3/8"	G 3/8"	64,0	10,0	9,0	17,0	24,0	●	●	●	130

* A = Außengewinde / Male Thread

Gewinde: G 1/4" G 3/8"
Thread: 1/4" BSPP 3/8" BSPP

Bestell-Beispiel: Typ Material
Ordering Information: Type Material

20BK-3/8 A-1/4 A - 1.4305



Kugeldrehgelenke / Ball Joints

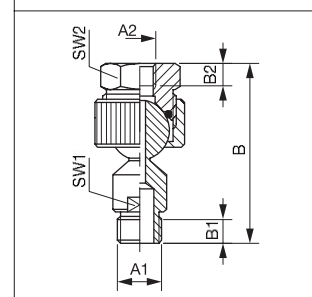
Typ Type*	Abmessungen / Dimensions (mm)						Material			Gewicht Weight ca. g	
	A1	A2	B	B1	B2	SW1 HEX1	SW2 HEX2	Messing Brass	1.4305 SS303		1.4571 SS316
20BK-3/8 A-1/4 I	G 3/8"	G 1/4"	53,0	10,0	10,0	17,0	24,0	●	●	●	130
20BK-3/8 A-3/8 I	G 3/8"	G 3/8"	53,0	10,0	10,0	17,0	24,0	●	●	●	130

* I = Innengewinde / Female Thread
A = Außengewinde / Male Thread

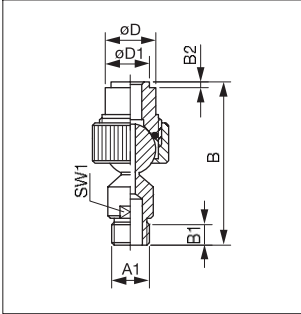
Gewinde: G 1/4" G 3/8"
Thread: 1/4" BSPP 3/8" BSPP

Bestell-Beispiel: Typ Material
Ordering Information: Type Material

20BK-3/8 A-1/4 I - 1.4305



Kugeldrehgelenke / Ball Joints



Typ Type*	Abmessungen / Dimensions (mm)							Material			Gewicht Weight ca. g
	A1	B	B1	B2	D	D1	SW1 HEX1	Messing Brass	1.4305 SS303	1.4571 SS316	
20BK- ³ / ₈ A-SN	G ³ / ₈ "	55,0	10,0	4,0	20,0	15,0	17,0	●	●	●	130

* SN = Schweißnippel / Adapter weld-on
A = Außengewinde / Male Thread

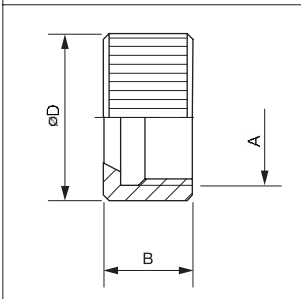
Gewinde: G ³/₈"
Thread: ³/₈" BSPP

Bestell-Beispiel: Typ Material
Ordering Information: Type Material

└───┬───┘ └───┬───┘

20BK-³/₈ A-SN - 1.4571

Überwurfmuttern für Kugeldrehgelenke Tip Retainers for Ball Joints



Typ Type	Abmessungen / Dimensions (mm)				Material			Gewicht Weight ca. g
	A	B	D		Messing Brass	1.4305 SS303	1.4571 SS316	
16BUK	M20 x 1	13,0	25,0		●	●	●	22
20BUK	M24 x 1,5	16,0	30,0		●	●	●	38
30BUK	M36 x 2	22,0	47,0		●	●	●	115
40BUK	M45 x 2	23,5	54,0		●	●	●	128

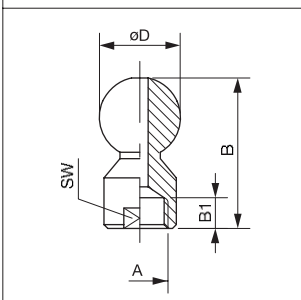
Gewinde: M20 x 1 M24 x 1,5 M36 x 2 M45 x 2
Thread: M20 x 1 M24 x 1,5 M36 x 2 M45 x 2

Bestell-Beispiel: Typ Material
Ordering Information: Type Material

└───┬───┘ └───┬───┘

16 BUK - 1.4305

Gelenkköpfe für Kugeldrehgelenke Turrets for Ball Joints



Typ Type*	Abmessungen / Dimensions (mm)					Material			Gewicht Weight ca. g	
	A	B	B1	D	SW HEX	Messing Brass	1.4305 SS303	1.4571 SS316		
20BK- ¹ / ₈ I	G ¹ / ₈ "	35,0	10,0	20,0	17,0		●	●	●	46
20BK- ¹ / ₄ I	G ¹ / ₄ "	35,0	10,0	20,0	17,0		●	●	●	46
30BK- ³ / ₈ I	G ³ / ₈ "	36,0	12,0	32,0	24,0		●	●	●	115
30BK- ¹ / ₂ I	G ¹ / ₂ "	36,0	12,0	32,0	24,0		●	●	●	115
40BK- ³ / ₄ I	G ³ / ₄ "	45,0	15,0	40,0	30,0		●	●	●	226

* I = Innengewinde / Female Thread

Gewinde: G ¹/₈" G ¹/₄" G ³/₈" G ¹/₂" G ³/₄"
Thread: ¹/₈" BSPP ¹/₄" BSPP ³/₈" BSPP ¹/₂" BSPP ³/₄" BSPP

Bestell-Beispiel: Typ Material
Ordering Information: Type Material

└───┬───┘ └───┬───┘

20 BK-¹/₈ I - 1.4305