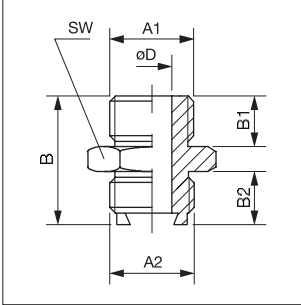


Z

Zubehör Accessories

Doppelnippel mit Schwalbenschwanz Adapter Dovetail / Thread (M)



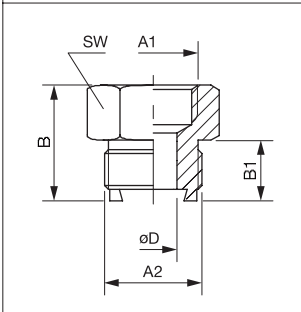
Typ Type	Abmessungen / Dimensions (mm)							Material			Gewicht Weight ca. g
	A1	A2	B	B1	B2	D	SW HEX	Messing Brass	1.4305 SS303	1.4571 SS316	
BDNF- ³ / ₈	G ³ / ₈ "	G ³ / ₈ "	25,0	10,0	10,0	7,5	22,0	●	●	●	35
BDNF- ³ / ₄	G ³ / ₄ "	G ³ / ₄ "	35,0	14,0	14,0	14,0	32,0	●	●	●	95
BDNF-1 ¹ / ₄	G 1 ¹ / ₄ "	G 1 ¹ / ₄ "	52,0	21,0	21,0	21,0	50,0	●	●	●	350

Gewinde: G ³/₈" G ³/₄" G 1¹/₄"
Thread: ³/₈" BSPP ³/₄" BSPP 1¹/₄" BSPP

Bestell-Beispiel: Typ Material
Ordering Information: Type Material

└───┘
└───┘
 BDNF-³/₈ - 1.4305

Muffen mit Schwalbenschwanz / Adapter Dovetail / Thread (F)



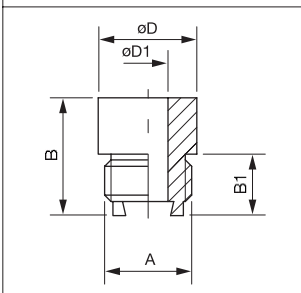
Typ Type	Abmessungen / Dimensions (mm)							Material			Gewicht Weight ca. g
	A1	A2	B	B1	D	SW HEX	Messing Brass	1.4305 SS303	1.4571 SS316		
BMF- ³ / ₈	G ³ / ₈ "	G ³ / ₈ "	25,0	10,0	7,5	22,0	●	●	●	42	
BMF- ³ / ₄	G ³ / ₄ "	G ³ / ₄ "	35,0	14,0	14,0	32,0	●	●	●	95	
BMF-1 ¹ / ₄	G 1 ¹ / ₄ "	G 1 ¹ / ₄ "	52,0	21,0	21,0	50,0	●	●	●	410	

Gewinde: G ³/₈" G ³/₄" G 1¹/₄"
Thread: ³/₈" BSPP ³/₄" BSPP 1¹/₄" BSPP

Bestell-Beispiel: Typ Material
Ordering Information: Type Material

└───┘
└───┘
 BMF-³/₈ - 1.4305

Schweißnippel mit Schwalbenschwanz Adapter Dovetail / Weld-on Type



Typ Type	Abmessungen / Dimensions (mm)						Material			Gewicht Weight ca. g
	A	B	B1	D	D1	1.0037 A570	Messing Brass	1.4571 SS316		
BSNF- ³ / ₈ -18	G ³ / ₈ "	18,0	10,0	17,0	7,5	●	●	●	20	
BSNF- ³ / ₄ -27	G ³ / ₄ "	27,0	14,0	27,0	14,0	●	—	●	72	
BSNF- ³ / ₄ -35	G ³ / ₄ "	35,0	14,0	27,0	14,0	●	—	●	175	
BSNF- ³ / ₄ -42	G ³ / ₄ "	42,0	14,0	27,0	14,0	●	—	●	200	
BSNF- ³ / ₄ -60	G ³ / ₄ "	60,0	14,0	27,0	14,0	●	—	●	280	
BSNF- ³ / ₄ -110	G ³ / ₄ "	110,0	14,0	27,0	14,0	●	—	●	390	
BSNF-1 ¹ / ₄ -40	G 1 ¹ / ₄ "	40,0	21,0	42,0	21,0	●	—	●	285	

Gewinde: G ³/₈" G ³/₄" G 1¹/₄"
Thread: ³/₈" BSPP ³/₄" BSPP 1¹/₄" BSPP

Bestell-Beispiel: Typ Material
Ordering Information: Type Material

└───┘
└───┘
 BSNF-³/₈-18 - 1.4571

Zubehör Accessories



Schweißnippel mit Schwalbenschwanz und Radius Adapter Dovetail / Weld-on Type w. Radius

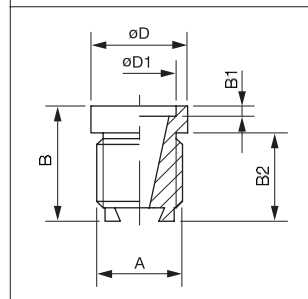
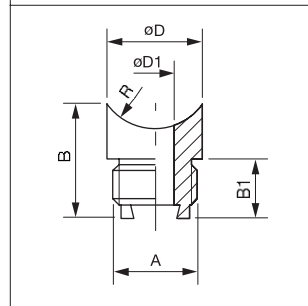
Typ Type	Abmessungen / Dimensions (mm)						Material				Gewicht Weight ca. g
	A	B	B1	D	D1	R	1.0037 A570	Messing Brass	1.4571 SS316		
BSNF- ³ / ₈ -18-R	G ³ / ₈ "	18,0	10,0	17,0	7,5	◆	●	●	●		18
BSNF- ³ / ₄ -27-R	G ³ / ₄ "	27,0	14,0	27,0	14,0	◆	●	-	●		70
BSNF- ³ / ₄ -35-R	G ³ / ₄ "	35,0	14,0	27,0	14,0	◆	●	-	●		170
BSNF- ³ / ₄ -42-R	G ³ / ₄ "	42,0	14,0	27,0	14,0	◆	●	-	●		195
BSNF- ³ / ₄ -60-R	G ³ / ₄ "	60,0	14,0	27,0	14,0	◆	●	-	●		275
BSNF- ³ / ₄ -110-R	G ³ / ₄ "	110,0	14,0	27,0	14,0	◆	●	-	●		385
BSNF-1 ¹ / ₄ -40-R	G 1 ¹ / ₄ "	40,0	21,0	42,0	21,0	◆	●	-	●		280

◆R=10/12,5/16/20/25 oder/or 31 mm – Bei Bestellung bitte angeben / Please indicate when ordering

Gewinde: G ³/₈" G ³/₄" G 1¹/₄"
Thread: ³/₈" BSPP ³/₄" BSPP 1¹/₄" BSPP

Bestell-Beispiel: Typ Material
Ordering Information: Type Material

BSNF-³/₈-18-R10 - 1.4571



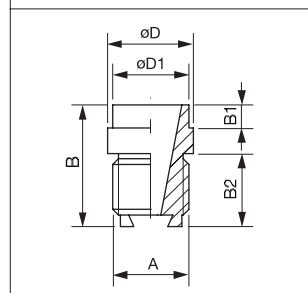
Schweißnippel mit Schwalbenschwanz Adapter Dovetail / Weld-on Type

Typ Type	Abmessungen / Dimensions (mm)						Material				Gewicht Weight ca. g
	A	B	B1	B2	D	D1	1.0037 A570	1.4571 SS316			
BSNFH-1-40	G 1"	40,0	4,5	24,0	38,0	27,0	●	●			180

Gewinde: G 1"
Thread: 1" BSPP

Bestell-Beispiel: Typ Material
Ordering Information: Type Material

BSNFH-1-40 - 1.0037



Schweißnippel mit Schwalbenschwanz Adapter Dovetail / Weld-on Type

Typ Type	Abmessungen / Dimensions (mm)						Material				Gewicht Weight ca. g
	A	B	B1	B2	D	D1	1.0037 A570	1.4571 SS316			
BSNFH-1-50	G 1"	50,0	10,0	24,0	38,0	33,0	●	●			210

Gewinde: G 1"
Thread: 1" BSPP

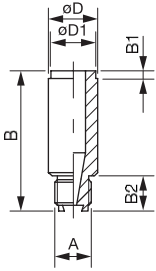
Bestell-Beispiel: Typ Material
Ordering Information: Type Material

BSNFH-1-50 - 1.0037

Z

Zubehör Accessories

Schweißnippel mit Schwalbenschwanz Adapter Dovetail / Weld-on Type

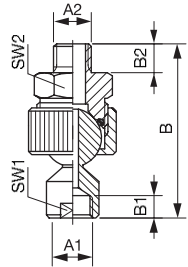


Typ Type	Abmessungen / Dimensions (mm)						Material				Gewicht Weight ca. g
	A	B	B1	B2	D	D1	1.0037 A570	1.4571 SS316			
BSNFH-1-120	G 1"	120,0	10,0	24,0	45,0	43,0	●	●			900

Gewinde: G 1"
Thread: 1" BSPP

Bestell-Beispiel: Typ Material
Ordering Information: Type Material
BSNFH-1-120 - 1.0037

Kugeldrehgelenke / Ball Joints



Typ Type*	Abmessungen / Dimensions (mm)							Material			Gewicht Weight ca. g
	A1	A2	B	B1	B2	SW1 HEX1	SW2 HEX2	Messing Brass	1.4305 SS303	1.4571 SS316	
20BK-1/8 I-1/4 A	G 1/8"	G 1/4"	54,0	10,0	9,0	17,0	24,0	●	●	●	130
20BK-1/4 I-1/4 A	G 1/4"	G 1/4"	54,0	10,0	9,0	17,0	24,0	●	●	●	130
20BK-1/4 I-3/8 A	G 1/4"	G 3/8"	54,0	10,0	9,0	17,0	24,0	●	●	●	130
30BK-3/8 I-3/8 A	G 3/8"	G 3/8"	64,0	12,0	13,0	24,0	36,0	●	●	●	320
30BK-1/2 I-1/2 A	G 1/2"	G 1/2"	64,0	12,0	13,0	24,0	36,0	●	●	●	320
40BK-3/4 I-3/4 A	G 3/4"	G 3/4"	73,0	15,0	15,0	30,0	46,0	●	●	●	580

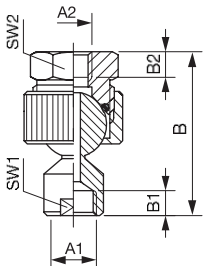
* I = Innengewinde / Female Thread

A = Außengewinde / Male Thread

Gewinde: G 1/8" G 1/4" G 3/8" G 1/2" G 3/4"
Thread: 1/8" BSPP 1/4" BSPP 3/8" BSPP 1/2" BSPP 3/4" BSPP

Bestell-Beispiel: Typ Material
Ordering Information: Type Material
20BK-1/8 I-1/4 A - 1.4305

Kugeldrehgelenke / Ball Joints



Typ Type*	Abmessungen / Dimensions (mm)							Material			Gewicht Weight ca. g
	A1	A2	B	B1	B2	SW1 HEX1	SW2 HEX2	Messing Brass	1.4305 SS303	1.4571 SS316	
20BK-1/8 I-1/8 I	G 1/8"	G 1/8"	45,0	10,0	8,0	17,0	24,0	●	●	●	120
20BK-1/4 I-1/4 I	G 1/4"	G 1/4"	45,0	10,0	10,0	17,0	24,0	●	●	●	120
20BK-1/4 I-3/8 I	G 1/4"	G 3/8"	45,0	10,0	10,0	17,0	24,0	●	●	●	120
30BK-3/8 I-3/8 I	G 3/8"	G 3/8"	60,0	12,0	14,0	24,0	36,0	●	●	●	390
30BK-1/2 I-1/2 I	G 1/2"	G 1/2"	60,0	12,0	14,0	24,0	36,0	●	●	●	390
40BK-3/4 I-3/4 I	G 3/4"	G 3/4"	65,0	15,0	17,0	30,0	46,0	●	●	●	580

* I = Innengewinde / Female Thread

Gewinde: G 1/8" G 1/4" G 3/8" G 1/2" G 3/4"
Thread: 1/8" BSPP 1/4" BSPP 3/8" BSPP 1/2" BSPP 3/4" BSPP

Bestell-Beispiel: Typ Material
Ordering Information: Type Material
20BK-1/8 I-1/8 I - 1.4305